

Procam Controls, Inc.
 2605 Technology Drive
 Bldg. 300
 Plano, Texas 75074
 972.881.9797 ofc
 972.422.6262 fax

INSTALLATION SPECIFICATIONS

TITLE

OptiPure
 Filter Systems

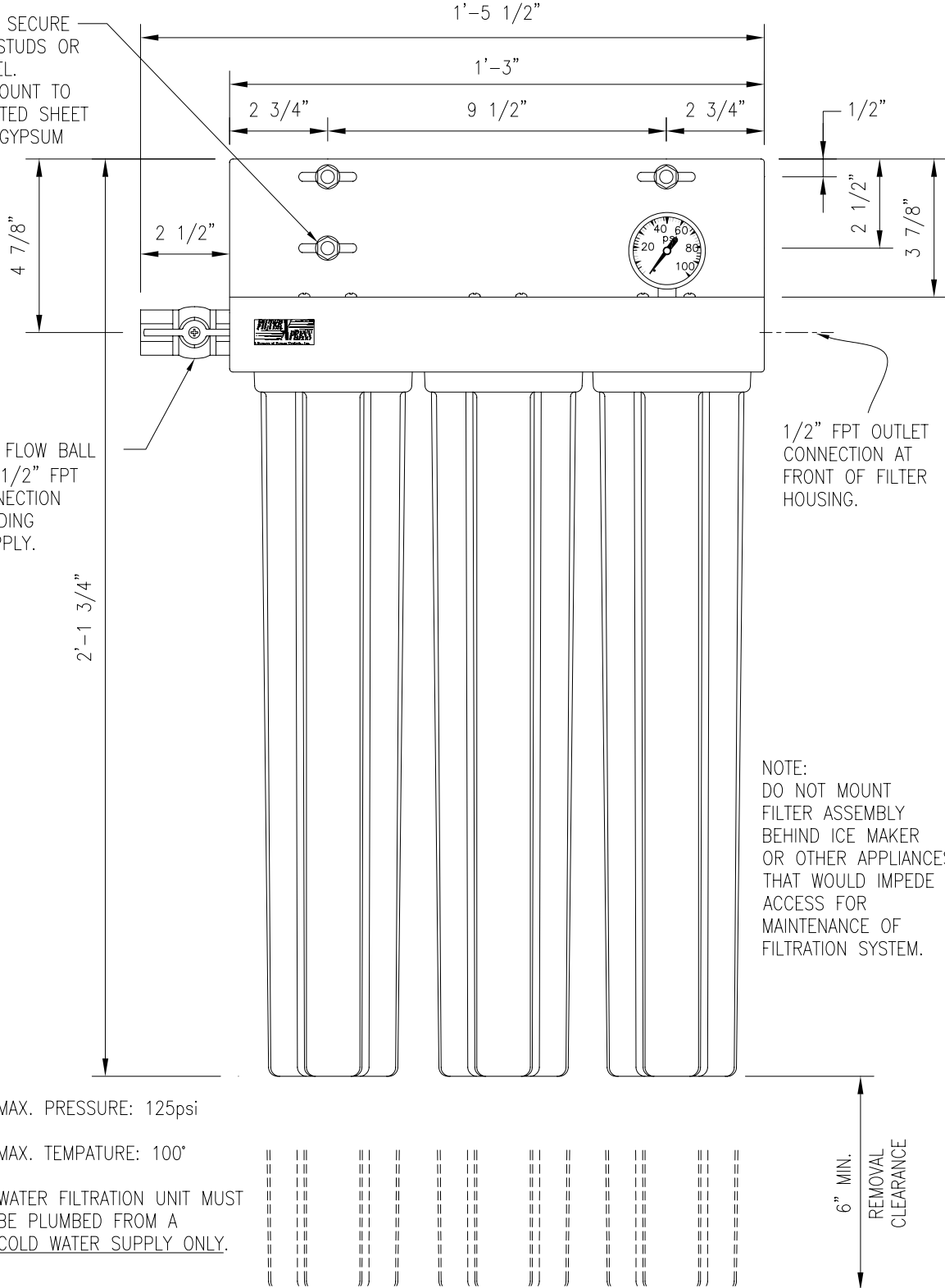
SHEET: 1 OF 4

MODEL NO.:
 FX-22P+
 FXC-22P+
 FXI-22P+
 FXCI-22P+

MOUNT TO SECURE WALL ON STUDS OR WALL PANEL. DO NOT MOUNT TO UNSUPPORTED SHEET ROCK OR GYPSUM BOARD.

1/2" FULL FLOW BALL VALVE w/ 1/2" FPT INLET CONNECTION FROM BUILDING WATER SUPPLY.

2'-1 3/4"



MAX. PRESSURE: 125psi

MAX. TEMPERATURE: 100°

WATER FILTRATION UNIT MUST BE PLUMBED FROM A COLD WATER SUPPLY ONLY.



Procam Controls, Inc.
2605 Technology Drive
Bldg. 300
Plano, Texas 75074
972.881.9797 ofc
972.422.6262 fax

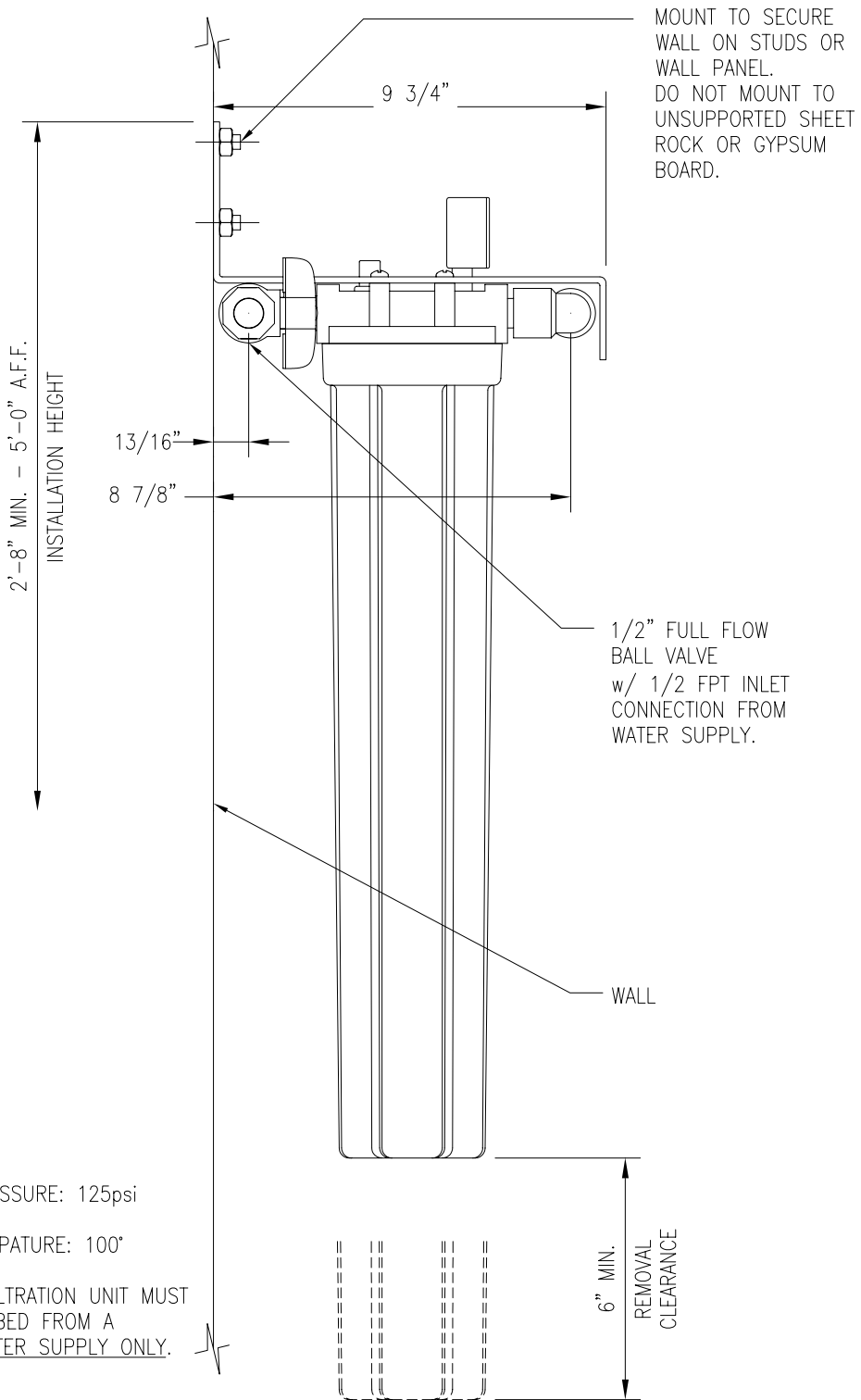
INSTALLATION SPECIFICATIONS

TITLE

OptiPure
Filter Systems

SHEET: 2 OF 4

MODEL NO:
FX-22P+
FXC-22P+
FXI-22P+
FXCI-22P+



MOUNT TO SECURE WALL ON STUDS OR WALL PANEL. DO NOT MOUNT TO UNSUPPORTED SHEET ROCK OR GYPSUM BOARD.

1/2" FULL FLOW BALL VALVE w/ 1/2 FPT INLET CONNECTION FROM WATER SUPPLY.

WALL

6" MIN. REMOVAL CLEARANCE

MAX. PRESSURE: 125psi
 MAX. TEMPERATURE: 100°
 WATER FILTRATION UNIT MUST BE PLUMBED FROM A COLD WATER SUPPLY ONLY.

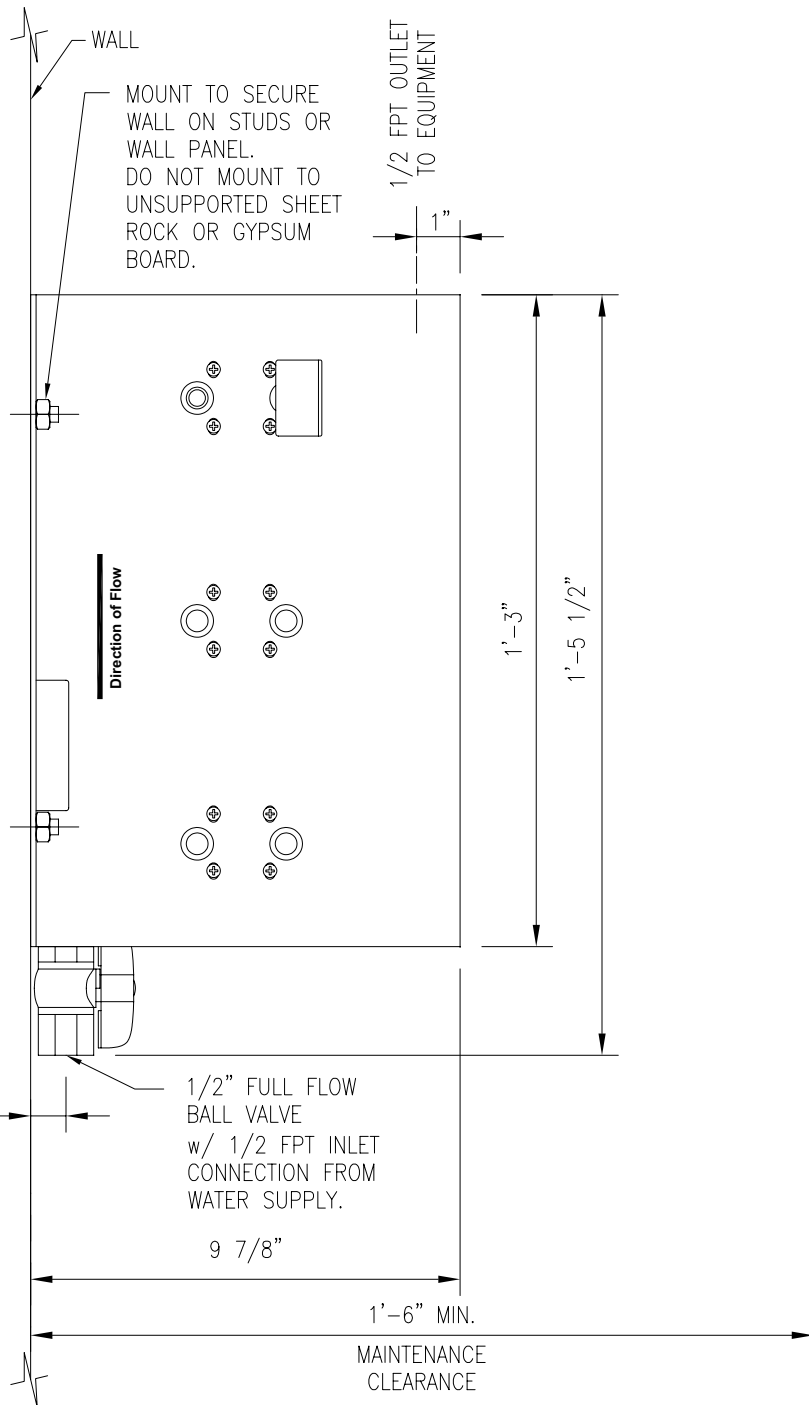


Procam Controls, Inc.
 2605 Technology Drive
 Bldg. 300
 Plano, Texas 75074
 972.881.9797 ofc
 972.422.6262 fax

INSTALLATION SPECIFICATIONS

TITLE
**OptiPure
 Filter Systems**

SHEET: 3 OF 4
 MODEL NO.:
 FX-22P+
 FXC-22P+
 FXI-22P+
 FXCI-22P+



MAX. PRESSURE: 125psi

MAX. TEMPERATURE: 100°

WATER FILTRATION UNIT MUST BE PLUMBED FROM A COLD WATER SUPPLY ONLY.



Procam Controls, Inc.
2605 Technology Drive
Bldg. 300
Plano, Texas 75074
972.881.9797 ofc
972.422.6262 fax

INSTALLATION SPECIFICATIONS

TITLE

OptiPure
Filter Systems

SHEET: 4 OF 4

MODEL NO.:
FX-22P+
FXC-22P+
FXI-22P+
FXCI-22P+