

Snapshot

The **SX2-22B** is a two housing water treatment system with 20" drop-in cartridges that reduces sediment down to 5 micron and reduces chlorine, taste & odor at a flow rate of 4.0 gpm for 50,000 gallons. This system includes ScaleX2[®], a chemical-free scale prevention technology that utilizes Template Induced Crystallization to effectively inhibit the formation of calcium scale.

System Benefits

- ScaleX2[®], achieved a 99.6% effectiveness rating when tested by an independent laboratory against the international protocol for scale prevention.
- Protects boilers, steam generators, and water heaters against the formation and accumulation of scale.
- Reduces maintenance frequency and cost, and extends equipment life.
- Gradient-density depth filtration reduces dirt, rust and other debris as small as 5 micron to assure clean, clear water and protect solenoids, valves and other fittings against wear and plugging.
- High capacity activated carbon filtration makes water taste great and protects equipment against corrosive chlorine.
- Sturdy mounting bracket and full-flow inlet shut-off valve makes installation simple.
- Built-in pressure gauge allows visual monitoring of operating pressure.
- Inlet shut-off and depressurization valve make changing the filter quick and simple.
- Generates less waste, only the drop-in filter is replaced. No discarding of metal or plastic quick-change filters.

ITEM #: _____ QTY: _____

JOB NAME/NUMBER _____



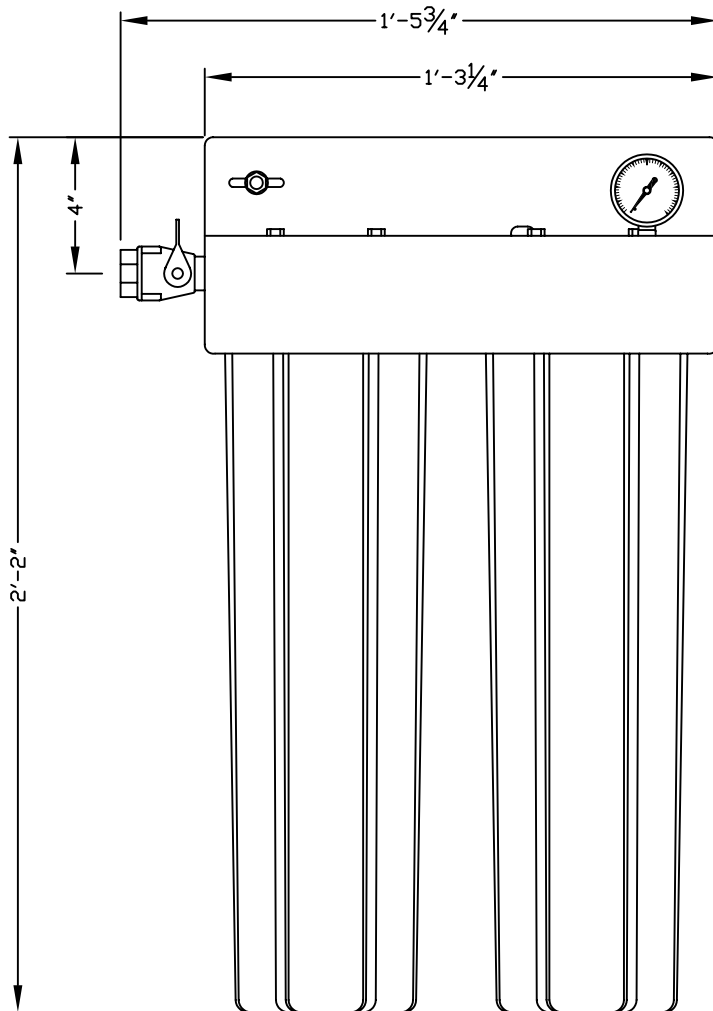
Application

STEAM & COMBI OVENS - *boilers or steam generators up to 4 gpm. Not recommended for 'flash' type (boilerless) combi ovens.*

TANKLESS WATER HEATERS OR CONVENTIONAL WATER HEATERS - *Up to 4 gpm flowrate.*

Installation Tips

- Feed-water connection to system should be COLD only.
- Do not exceed system specifications for temperature and pressure.
- Allow 3" clearance below system for filter housing removal and cartridge replacement.
- Connect filtered water line to ice and steam production connections only. Do not use for condenser water.
- Detailed installation, operation & maintenance manual is included with each system.
- No activation procedure or flushing is required for system to perform as specified.



COMPONENT

The ScaleX2 element is tested and certified by NSF International against NSF/ANSI Standard 42 for material requirements only.

Dealer/Distributor Info:

► Specifications

System	
Dimensions (Height x Width X Depth, inches)	26" x 20" x 9"
Connection - Inlet & Outlet	3/4" NPT female
Operating Pressure Range	10-125 psi (0.7 -8.6 bar)
Inlet Water Temperature Range	35° -100° F (2° -38° C)
Shipping Weight	24 lbs.
Performance	
Chlorine, Taste and Odor Reduction Capacity at 3 gpm	50,000 gals (189,250 liters)
Recommended Service Flow Rate for Optimum Scale Inhibition	4.0 gpm (15.2 lpm)
Sediment Reduction	5 micron (nominal)
Scale Inhibitor	ScaleX2®

► Replacement Cartridge(s)

Model	Part Number	Qty
CTO-20B	252-20420	1
SCLX2-4	252-60220	1
SX22BRK*	252-60124	1

* Replacement cartridge kit includes one each of both cartridges.

It is recommended that filters be changed yearly, when capacity is reached or when effluent pressure or flow becomes inadequate.

This product is for commercial use only and must be installed and maintained according to manufacturers guidelines.

Do not use on water that is microbiologically unsafe or of unknown quality without adequate disinfection before or after the system.

► Warranty

Systems have a 3 year warranty against defects in material and workmanship. For complete warranty information contact OptiPure customer service or go to www.optipurewater.com.

OptiPure, Mfg. by Procam Controls, Inc.
2605 Technology Dr., Bldg 300
Plano, TX 75074
p: 972.881.9797; f: 972.422.6262
www.optipurewater.com