

Procam Controls, Inc.
2605 Technology Drive
Bldg. 300
Plano, Texas 75074
972.881.9797 ofc
972.422.6262 fax

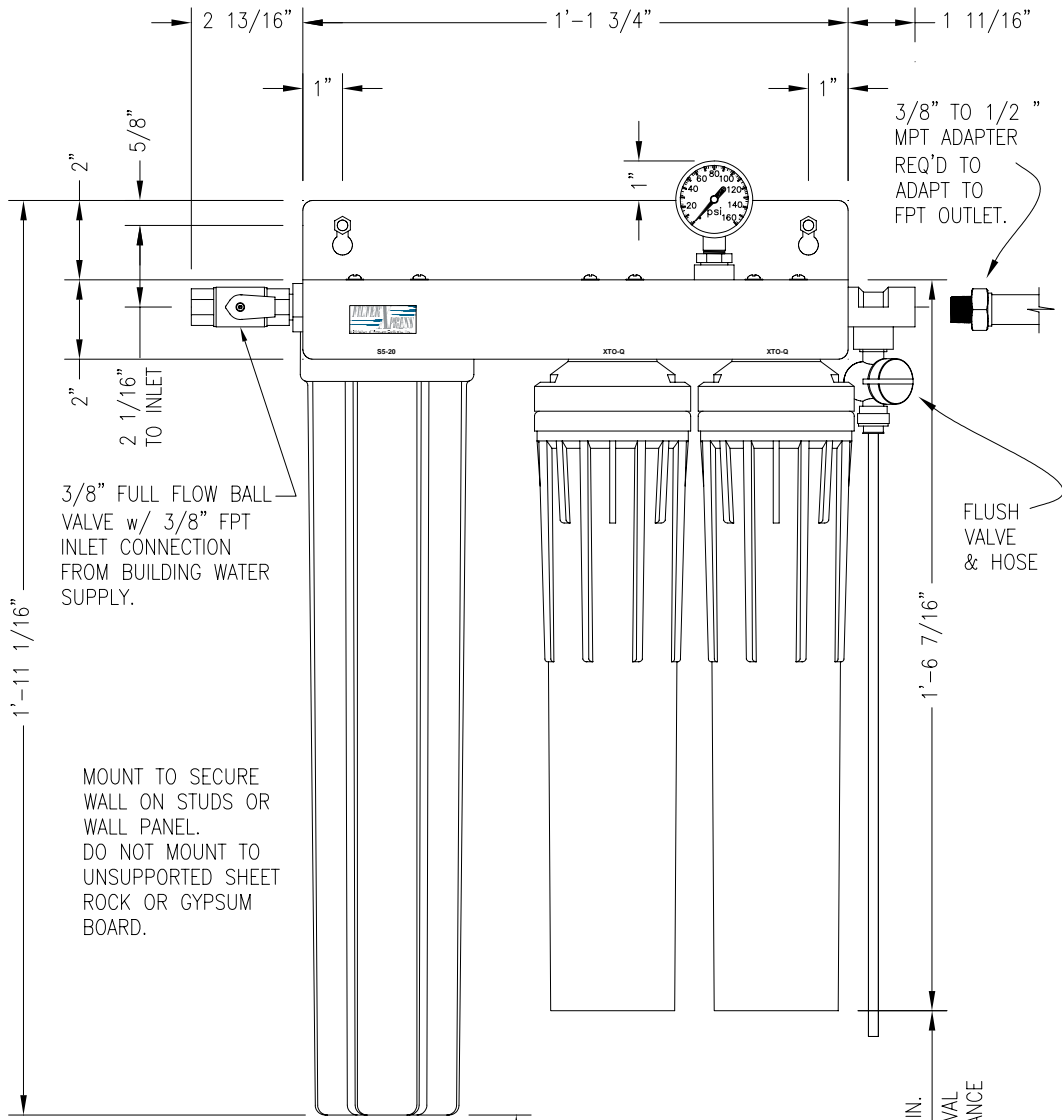
INSTALLATION SPECIFICATIONS

TITLE

OptiPure - QT
Filter Systems

SHEET: 1 of 4

MODEL NO.: QT-2+
QTC-2+
QTI-2+
QTCI-2+



3/8" FULL FLOW BALL VALVE w/ 3/8" FPT INLET CONNECTION FROM BUILDING WATER SUPPLY.

3/8" TO 1/2" MPT ADAPTER REQ'D TO ADAPT TO FPT OUTLET.

FLUSH VALVE & HOSE

MOUNT TO SECURE WALL ON STUDS OR WALL PANEL. DO NOT MOUNT TO UNSUPPORTED SHEET ROCK OR GYPSUM BOARD.

NOTE:
DO NOT MOUNT FILTER ASSEMBLY BEHIND ICE MACHINE OR OTHER APPLIANCES THAT WOULD IMPEDE ACCESS FOR MAINTENANCE OF FILTRATION SYSTEM.

MAX. PRESSURE: 125psi

MAX. TEMPERATURE: 100°F

WATER FILTRATION UNIT MUST BE INSTALLED ON THE COLD WATER SUPPLY ONLY.



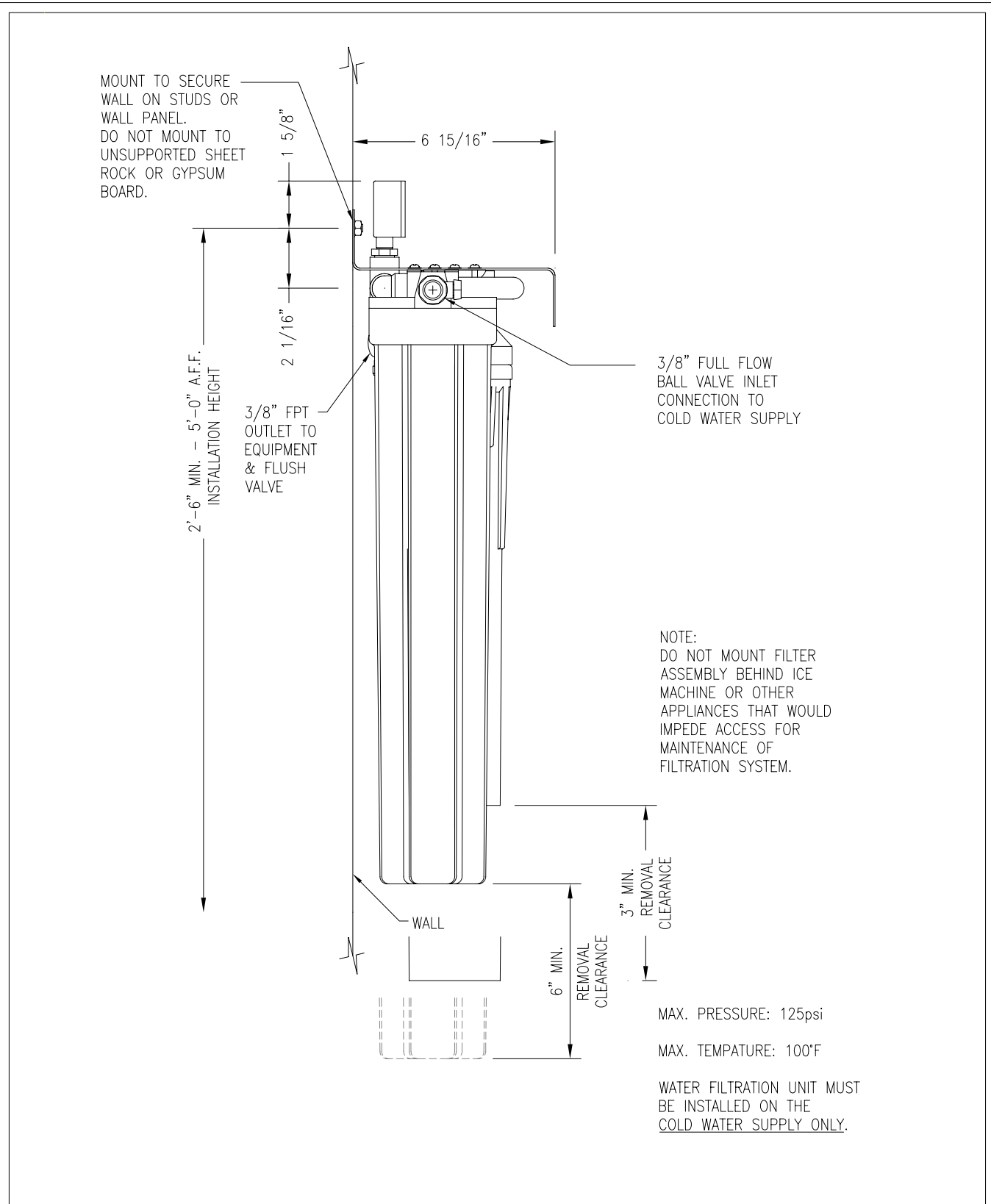
Procam Controls, Inc.
2605 Technology Drive
Bldg. 300
Plano, Texas 75074
972.881.9797 ofc
972.422.6262 fax

INSTALLATION SPECIFICATIONS

TITLE
**OptiPure - QT
Filter Systems**

SHEET: 2 of 4

MODEL NO.: QT-2+
QTC-2+
QTI-2+
QTCI-2+



Procam Controls, Inc.
2605 Technology Drive
Bldg. 300
Plano, Texas 75074
972.881.9797 ofc
972.422.6262 fax

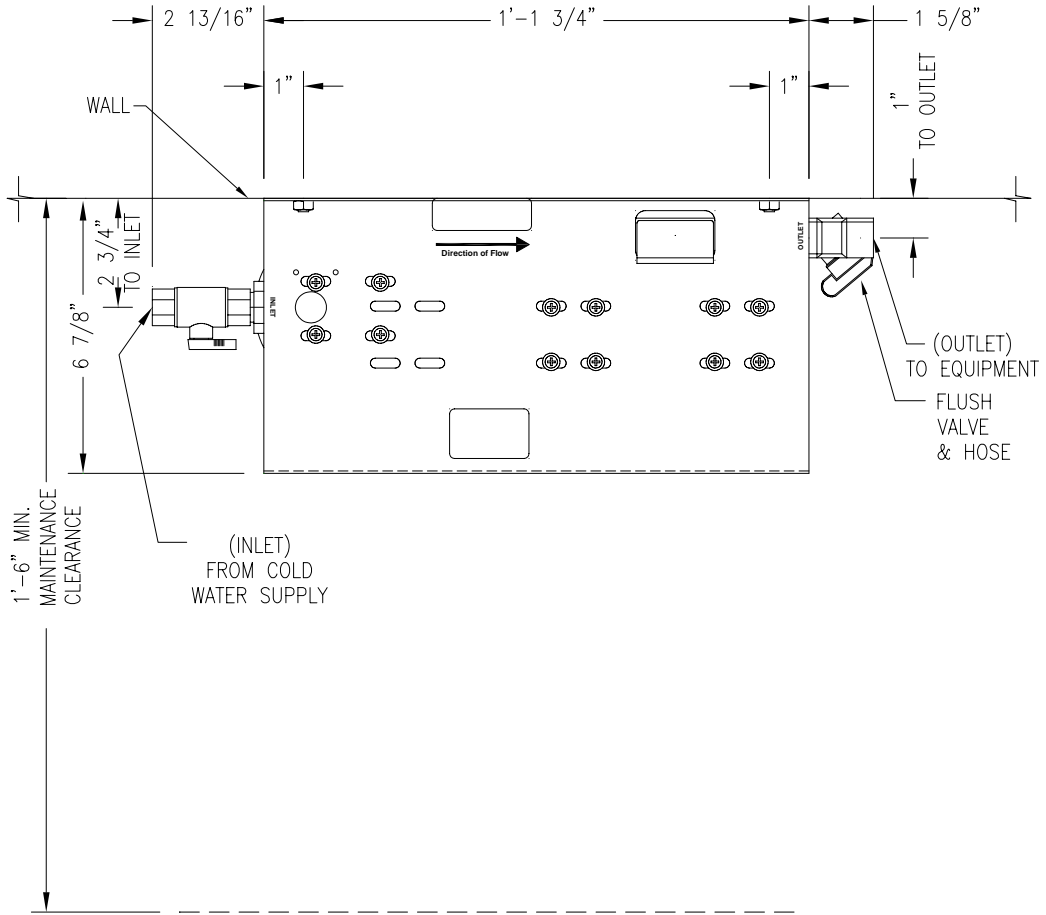
INSTALLATION SPECIFICATIONS

TITLE

OptiPure - QT
Filter Systems

SHEET: 3 of 4

MODEL NO.: QT-2+
QTC-2+
QTI-2+
QTCI-2+



Procam Controls, Inc.
2605 Technology Drive
Bldg. 300
Plano, Texas 75074
972.881.9797 ofc
972.422.6262 fax

INSTALLATION SPECIFICATIONS

TITLE

**OptiPure - QT
Filter Systems**

SHEET: 4 of 4

MODEL NO.: QT-2+
QTC-2+
QTI-2+
QTCI-2+